

## **Connecting the WCR3601-WR Reader to the Netgenium ALK3702-IP**

### **Introduction**

The purpose of this document is to explain how to connect the the WCR3601-WR readers to the Netgenium ALK3702-IP lock controller.

### **Model Required      The ALK3702-IP**

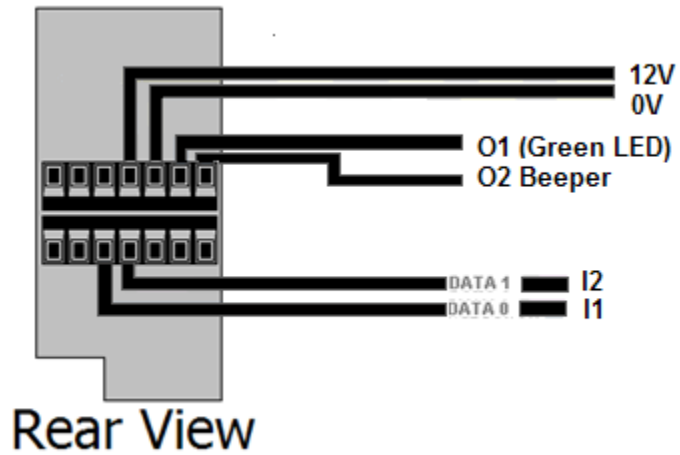
### **Wiring Details**

The wiring diagram provides a schematic of a WCR3601-WR reader wired into the ALK3702-IP. The diagram shows the power for the readers being supplied by the ALK3702-IP. Ensure the total power the ALK3702-IP is supplying to the lock and reader(s) does not exceed the maximum permitted (800mA @12Vdc).

If the total power required exceeds the maximum permitted, it will be necessary to power the readers from an external source. This could be from a POE source via a power splitter, or a standard 12Vdc supply.

## Diagrams

### Reader 1



### Reader 2

